

X-R Portable AirRay

Technical specifications



Ultra lightweight,
portable X-ray Generator

X-R Portable AirRay

- Hybrid operation / cable or battery
- Wireless charging or charging via USB port
- Charging without removing the battery
- Practical handling for mobile use
- Innovative drive through high-performance battery (lithium-ion)
- Up to 120 shots with just one battery charge
- Exclusive remote control function through hand switch
- Up to 10 shortcut keys programmable for kV and mAs

Standard accessories

- Wireless handset/handset
- 2 batteries
- Aluminium carrying case with inductive charging station
- Multi-function display

Power

Tube Vol. / Current	90kV / 20mA
Voltage range	50 - 90 kV in 1kV Steps
mAs range	0,4mAs - 20mAs 25 Steps
Max. Output	1,6kW bei 80kV

X-ray Tube

Application	OX / 70 CEI
Focal Spot	1,0mm

Collimator

Max. light field	47 cm x 47 cm @ 100 cm SID
Min. light field	5cm x 5cm @ 100cm SID
Lamp	LED
Laser Pointer	Dual-Laser

Power

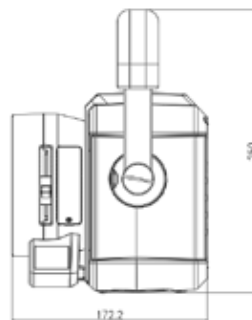
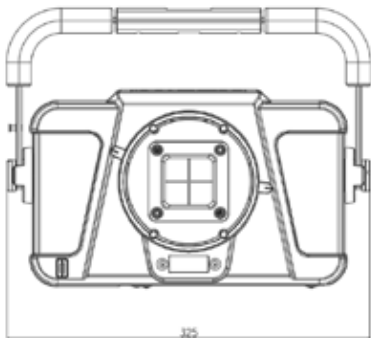
Energy supply	110/240 VAC
Frequency/Phase	50/60 Hz

Features

Default settings	10 für kV and mAs
Weight	5,3kg
Dimensions	325 x 268 x 250 mm

Battery

Type	Lithium-ion
Capacity (mAh)	5000



Contact us:



+49 711 12 00 02- 0



+49 711 12 00 02- 22



vertrieb@examion.com